

SLIMLINE HATCH

SELECTION INFORMATION



Hatches/Portlights **Introduction** Features Dimensions Fixtures

INTRODUCTION

With an extra-low 22mm (7/8") profile, Maxwell Slimline hatches feature silver anodised extruded aluminium frames and a 20mm (3/4") deep internal flange for an easy, professional installation and a durable, stylish finish. Modern adjustable friction stays hold the hatch open from 0° to 120° (with the exception of the WHC00 and WHC20 hatches which are fitted with friction arms). Closing handles are fitted with simple security locks on the inside to lock the hatch closed or in a ventilation position. The smoke-grey, 10mm thick acrylic lid is UV stabilized for long life. White PVC trim mouldings and black fly screens can be ordered separately.

CE Maxwell Slimline Hatches are CE Approved for use in Area II



3YEAR
Limited Warranty

MAXWELL

SLIMLINE HATCH

SELECTION INFORMATION



Hatches/Portlights Introduction **Features** Dimensions Fixtures

FEATURES

Slimline Hinge

Constructed of high grade aluminium, the Slimline hinge encapsulates a marine grade stainless steel pin within a reinforced nylon bush for years of trouble free operation.

Slimline Stays

All Slimline hatches, WHC30 and up, come standard with stylish, fully adjustable friction stays allowing the hatch to be quickly and positively locked in any position from 0 to 120 degrees. WHC00, WHC10 and WHC20 hatches are fitted with friction arms.

Frames

Extruded aluminium frames on all hatches feature a standard silver anodised finish and a deep 20mm (7/8") internal flange for a simple, professional installation.

Unique Acrylic Fitting and Sealing System

Maxwell hatches incorporate a unique "V" system of fitting the acrylic into the frame ensuring that the window is secured into the frame with unparallel strength. The "V" system allows the full 10mm (3/8") thickness of the acrylic to be utilised for extra strength and the seal is further enhanced by a double sealant method guaranteeing a watertight hatch in the harshest conditions. The frame is designed to allow easy replacement of the acrylic by a qualified marine glazier should it become damaged.



UNIQUE ACRYLIC SEALING SYSTEM



3YEAR
Limited Warranty

MAXWELL

SLIMLINE HATCH

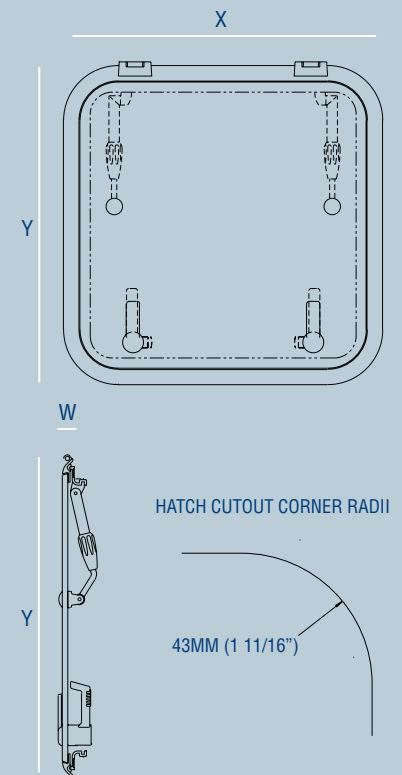
SELECTION INFORMATION



Hatches/Portlights Introduction Features **Dimensions** Fixtures

DIMENSIONS

CODE	CUTOUT SIZE MM (X - Y)	CUTOUT SIZE IN" (X - Y)	CUTOUT RADIUS MM	CUTOUT RADIUS IN"	OUTSIDE SIZE MM (X - Y)	OUTSIDE SIZE IN" (X - Y)	HEIGHT ABOVE DECK MM (W)	HEIGHT ABOVE DECK IN" (W)	TRIMS TO SUIT	SCREENS TO SUIT
WHC00S	262 x 176	10 5/16 x 6 3/4	43	1 11/16	336 x 250	13 1/4 x 9 7/8	22	7/8	WT00W	WS00L
WHC10S	260 x 260	10 1/4 x 10 1/4	43	1 11/16	314 x 314	12 3/8 x 12 3/8	22	7/8	WT10W	WS10L
WHC20S	347 x 202	13 11/16 x 8	43	1 11/16	421 x 276	16 9/16 x 10 7/8	22	7/8	WT20W	WS20L
WHC30S	457 x 327	18 x 12 7/8	43	1 11/16	531 x 401	20 7/8 x 15 3/4	22	7/8	WT30W	WS30L
WHC41S	422 x 422	16 5/8 x 16 5/8	43	1 11/16	496 x 496	19 1/2 x 19 1/2	22	7/8	WT41W	WS41L
WHC45S	507 x 377	20 x 14 13/16	43	1 11/16	581 x 451	22 7/8 x 17 3/4	22	7/8	WT45W	WS45L
WHC50S	507 x 507	20 x 20	43	1 11/16	581 x 581	22 7/8 x 22 7/8	22	7/8	WT50W	WS50L
WHC62S	627 x 627	24 11/16 x 24 11/16	43	1 11/16	701 x 701	27 5/8 x 27 5/8	22	7/8	WT62W	WS62L



3 YEAR
Limited Warranty



Do not cut opening before receiving your Hatch or Portlight.
Hatches and Portlights should be fitted to a flat surface with a maximum tolerance of 1mm.

MAXWELL

SLIMLINE HATCH

SELECTION INFORMATION

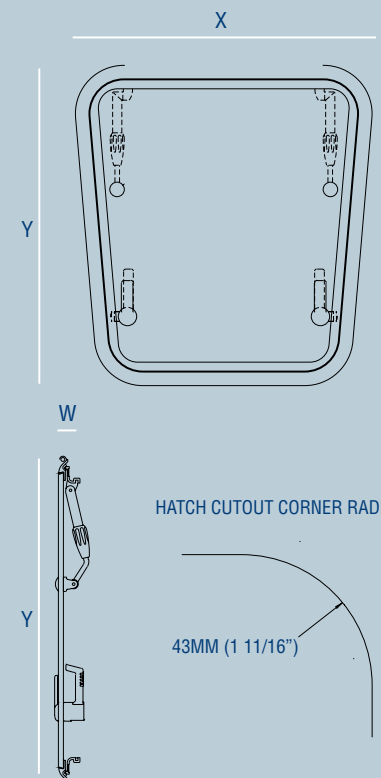


Hatches/Portlights Introduction Features **Dimensions** Fixtures

DIMENSIONS

Slimline Trapezoid

CODE	CUTOUT SIZE MM (X - Y - Z)	CUTOUT SIZE IN" (X - Y - Z)	CUTOUT RADIUS MM	CUTOUT RADIUS IN"	OUTSIDE SIZE MM (X - Y - Z)	OUTSIDE SIZE IN" (X - Y - Z)	HEIGHT ABOVE DECK MM (W)	HEIGHT ABOVE DECK IN" (W)	TRIMS TO SUIT	SCREENS TO SUIT
WHC55S	557 X 588 X 436	21 15/16 X 23 3/16 X 17 3/16	43	1 11/16	636 X 659 X 500	25 X 26 X 19 1/16	22	7/8	WT55W	WS55L



3YEAR
Limited Warranty



Do not cut opening before receiving your Hatch or Portlight.
Hatches and Portlights should be fitted to a flat surface with a maximum tolerance of 1mm.

MAXWELL